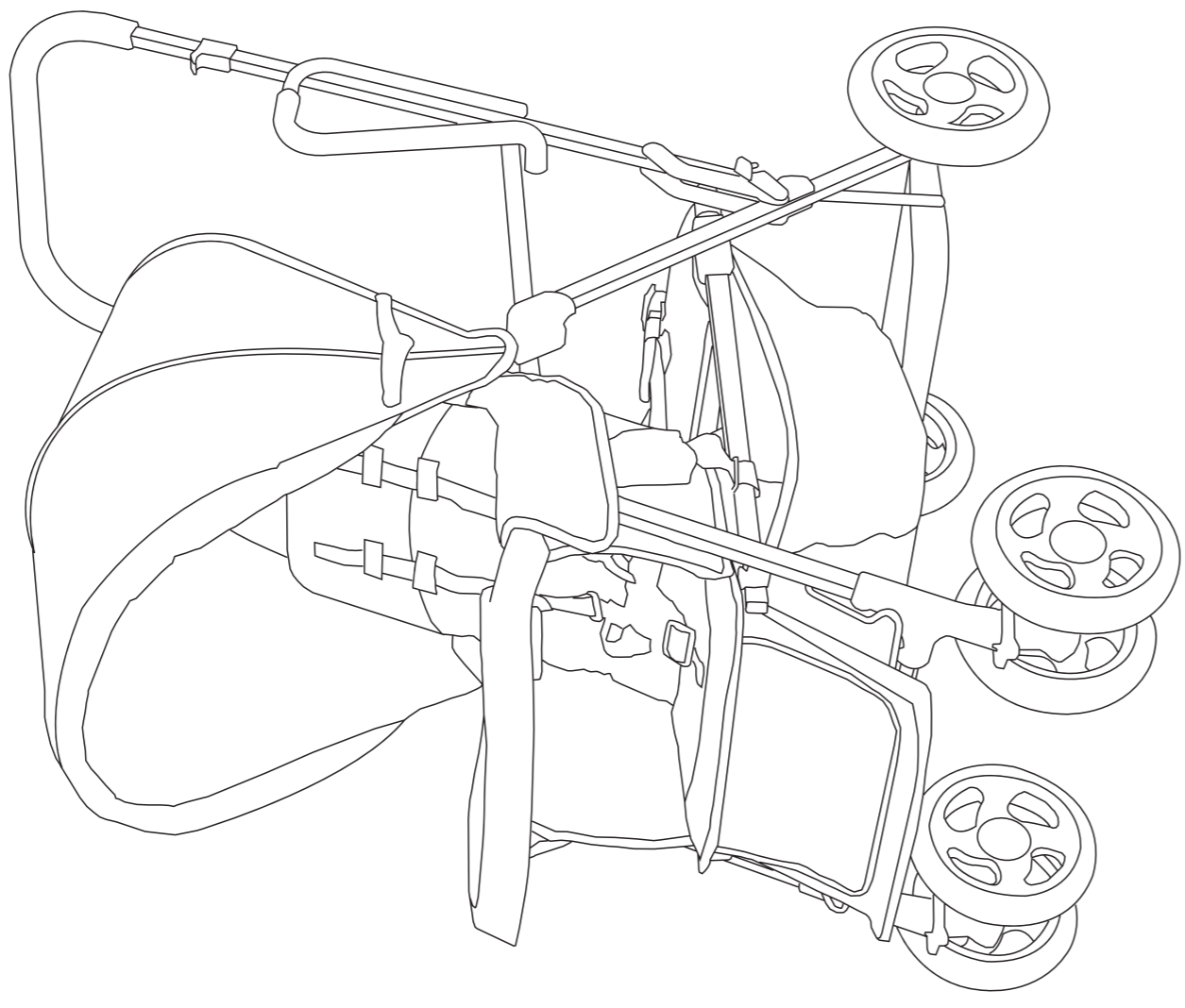


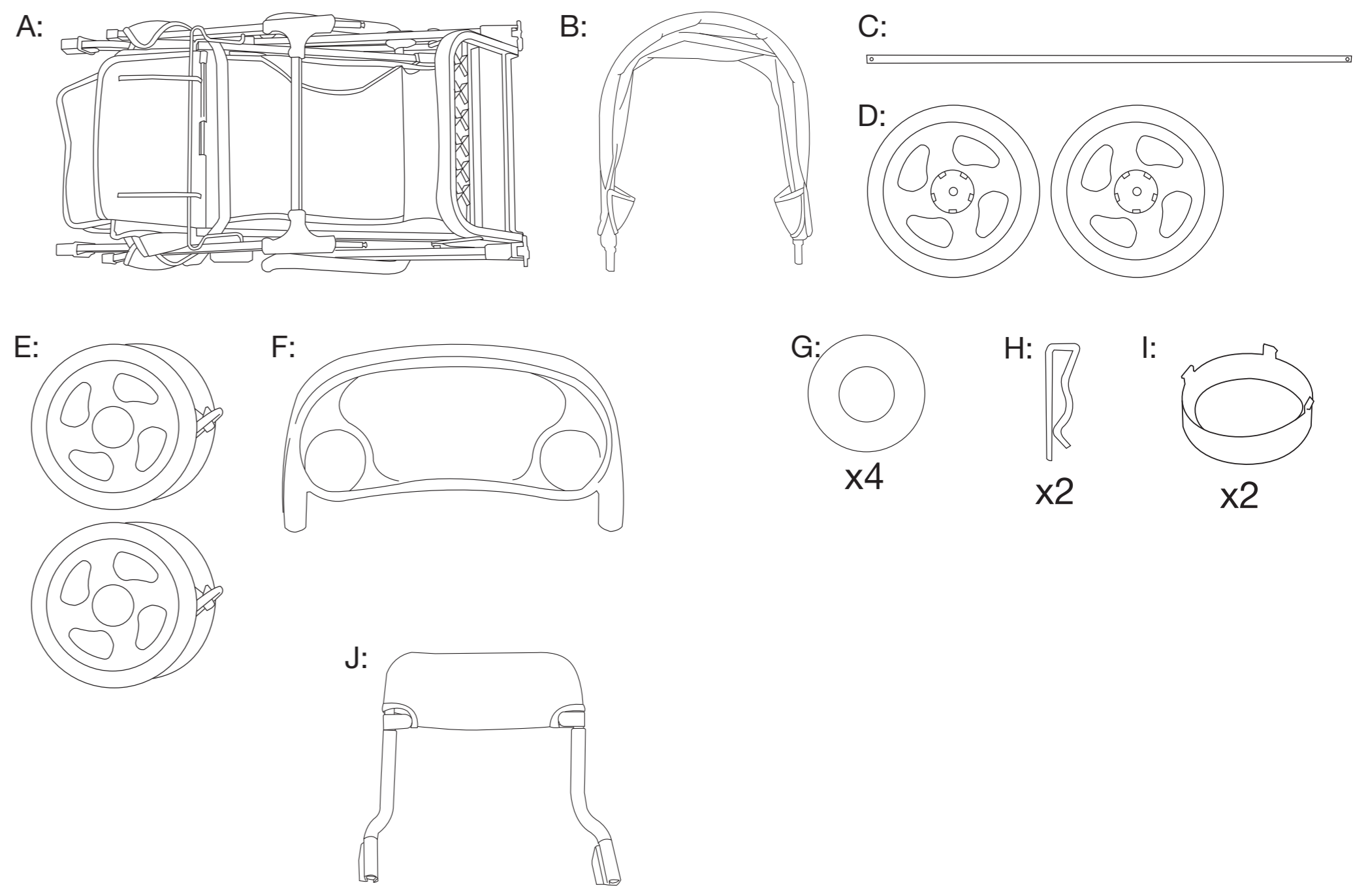
Joovy®

Caboose 40X & 41X

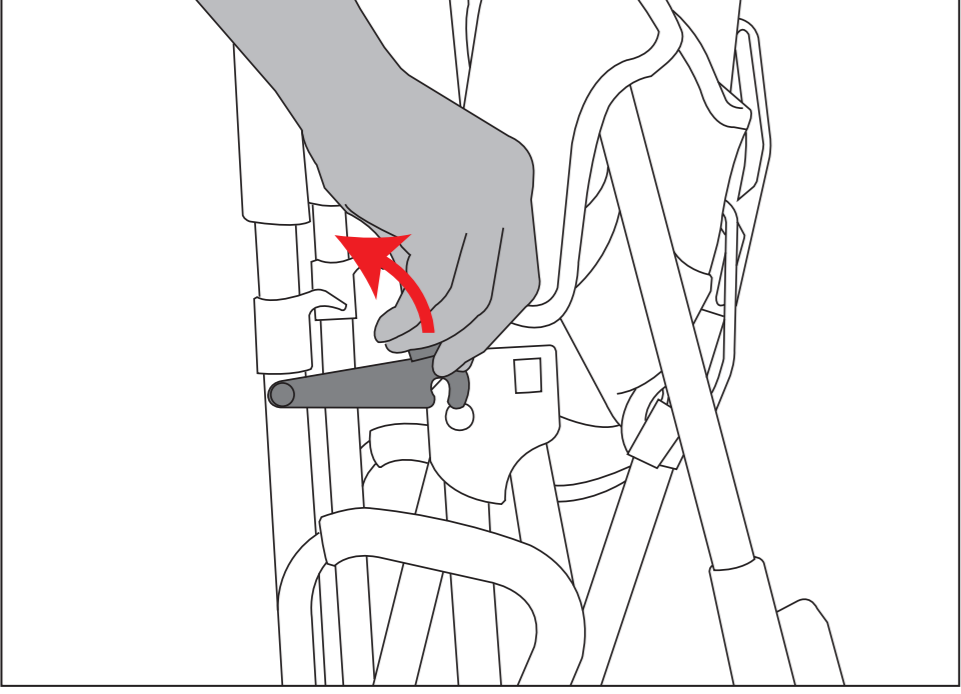


©Joovy 2013 • Document Version 110513

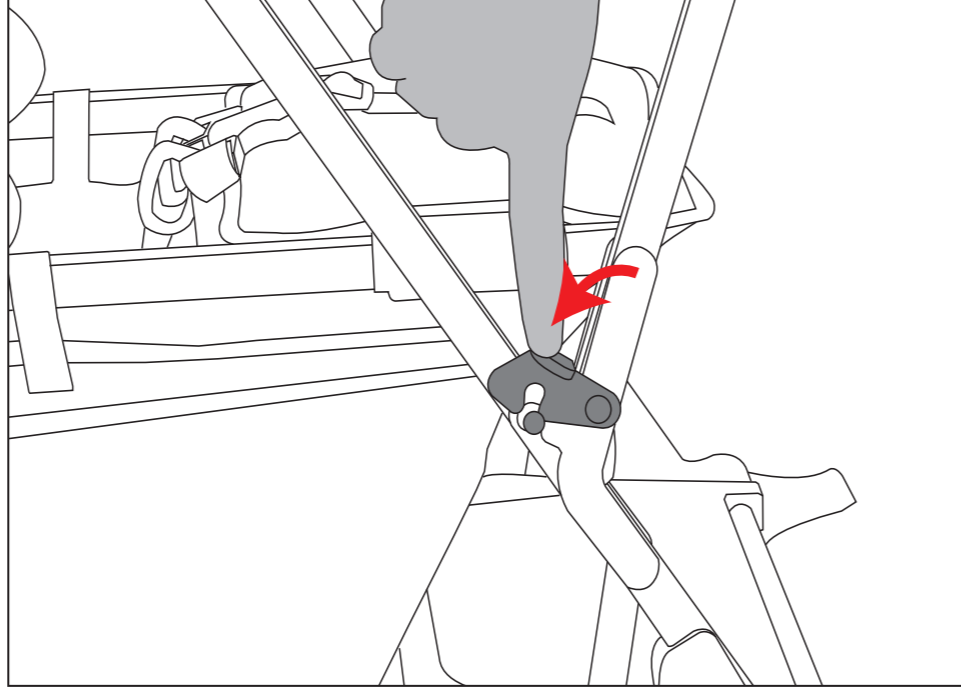
1.1



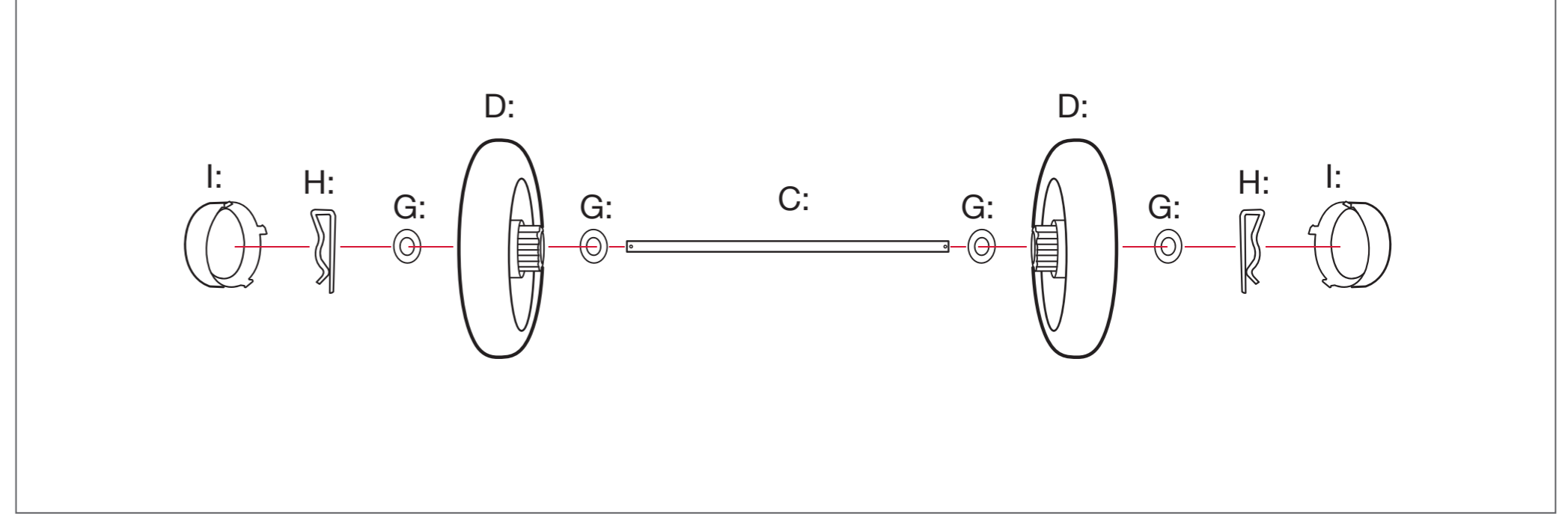
2.1



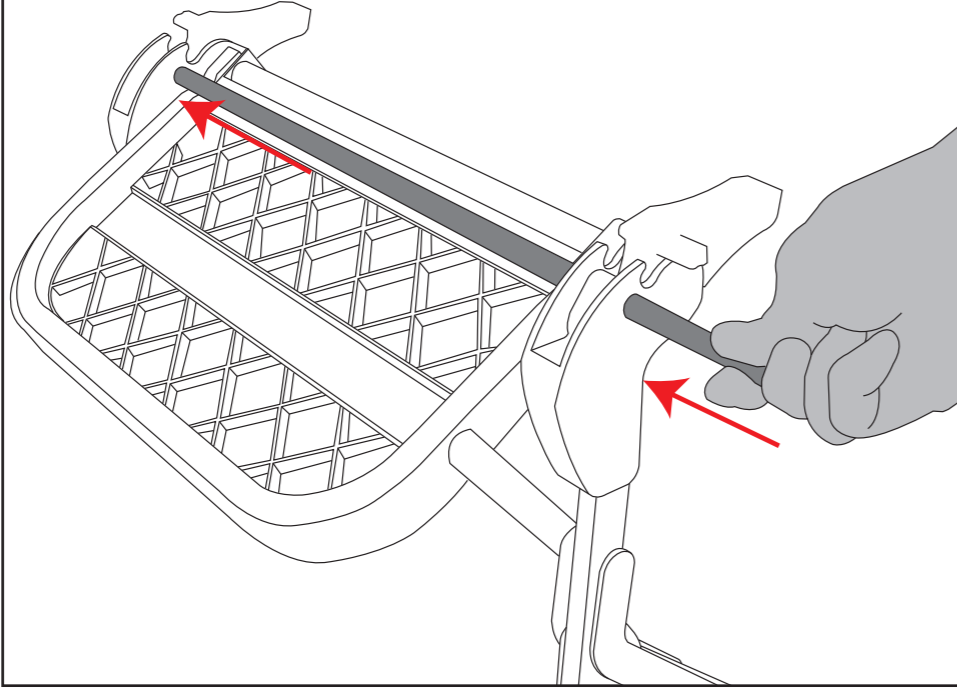
2.2



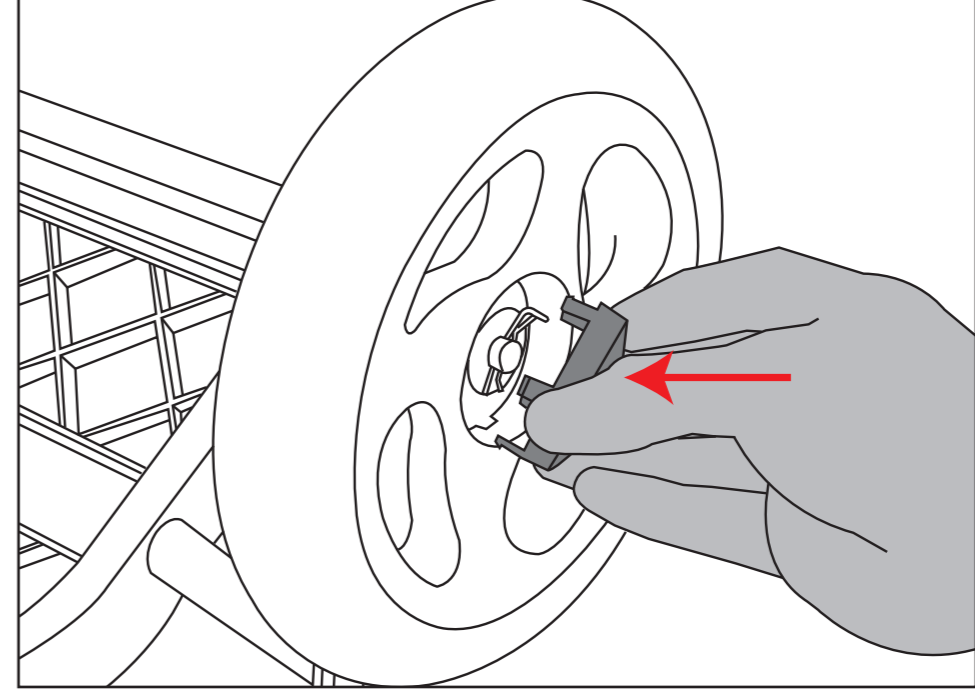
3.2



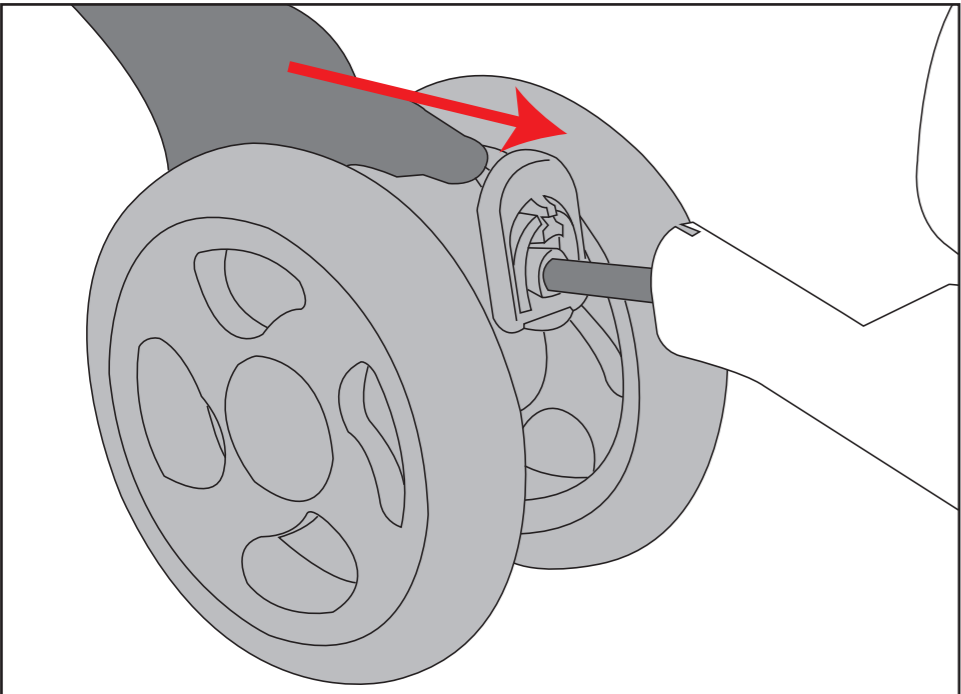
3.1



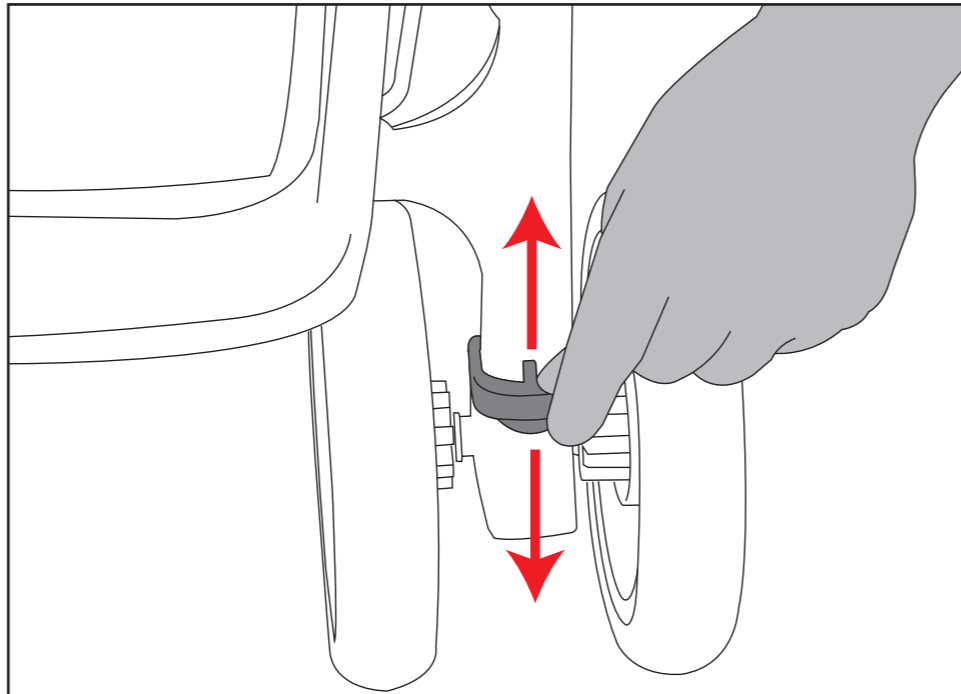
3.3



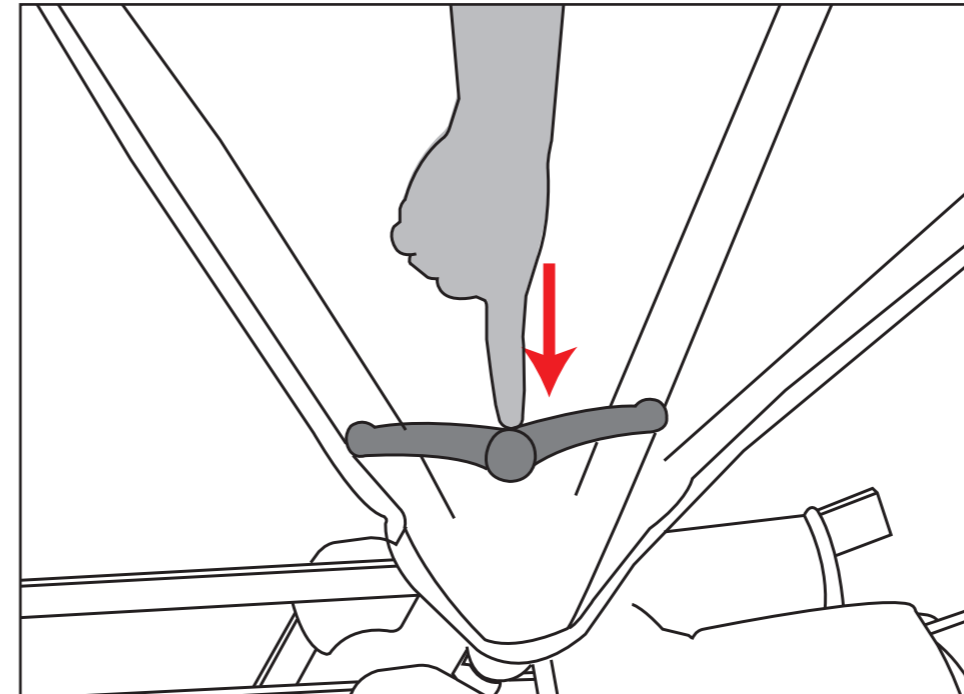
4.1



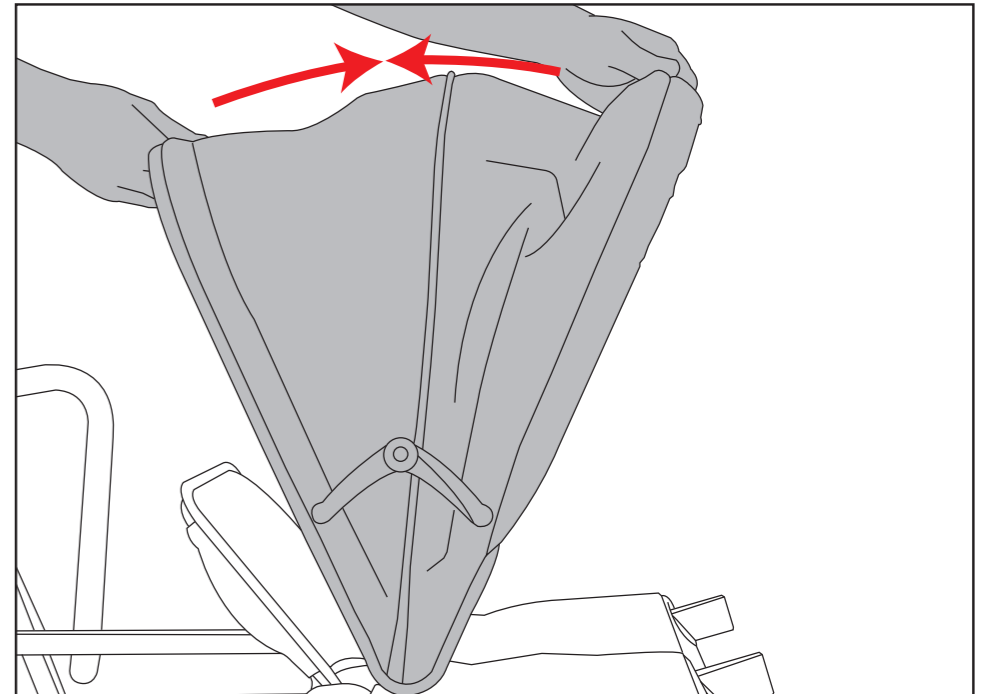
5.1



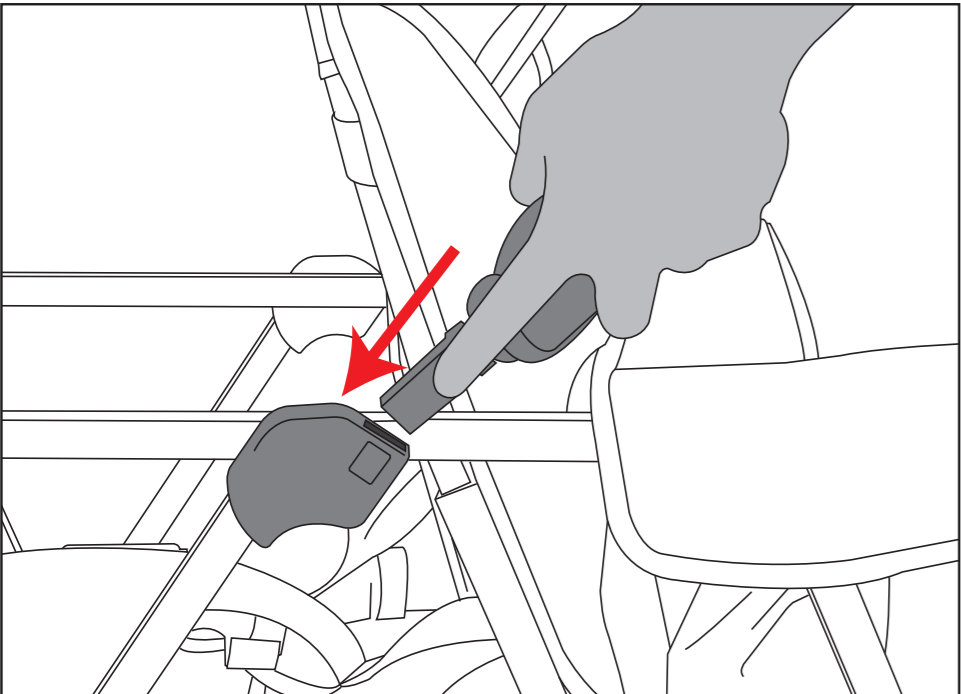
6.3



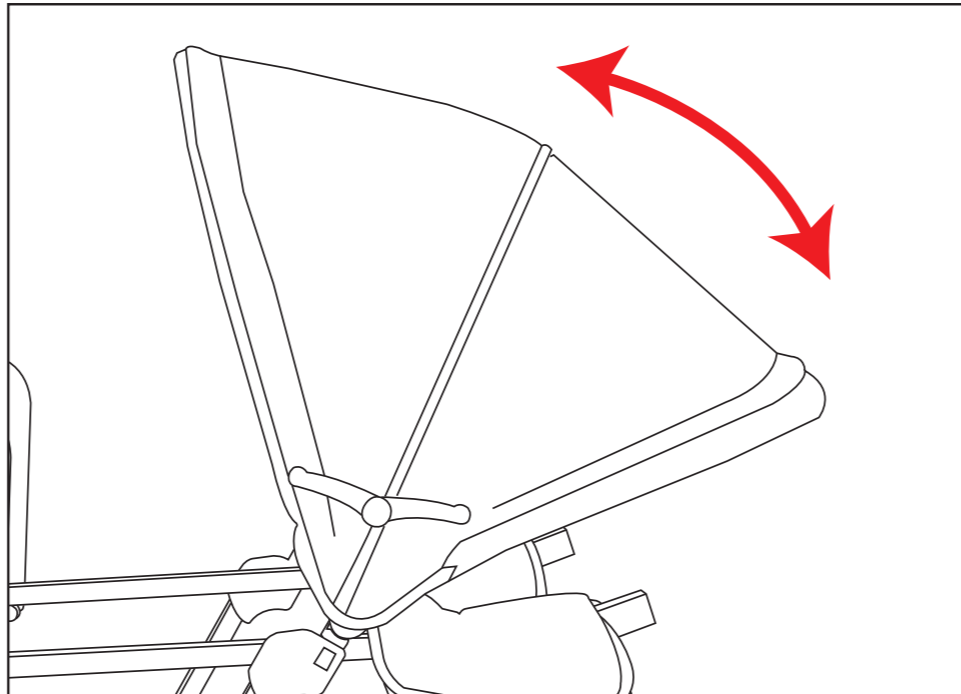
6.4



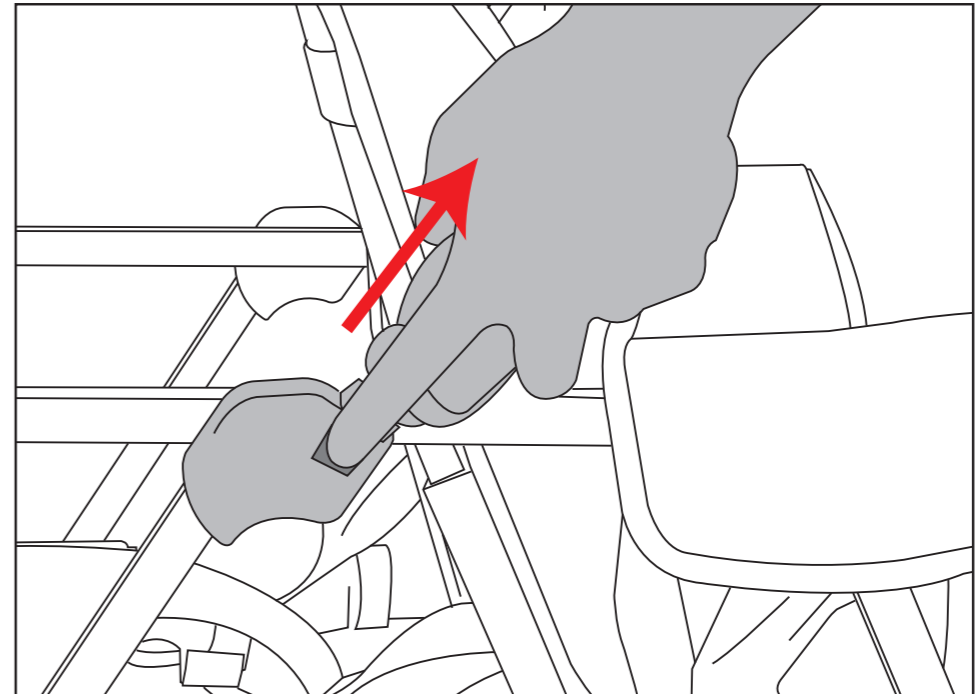
6.1



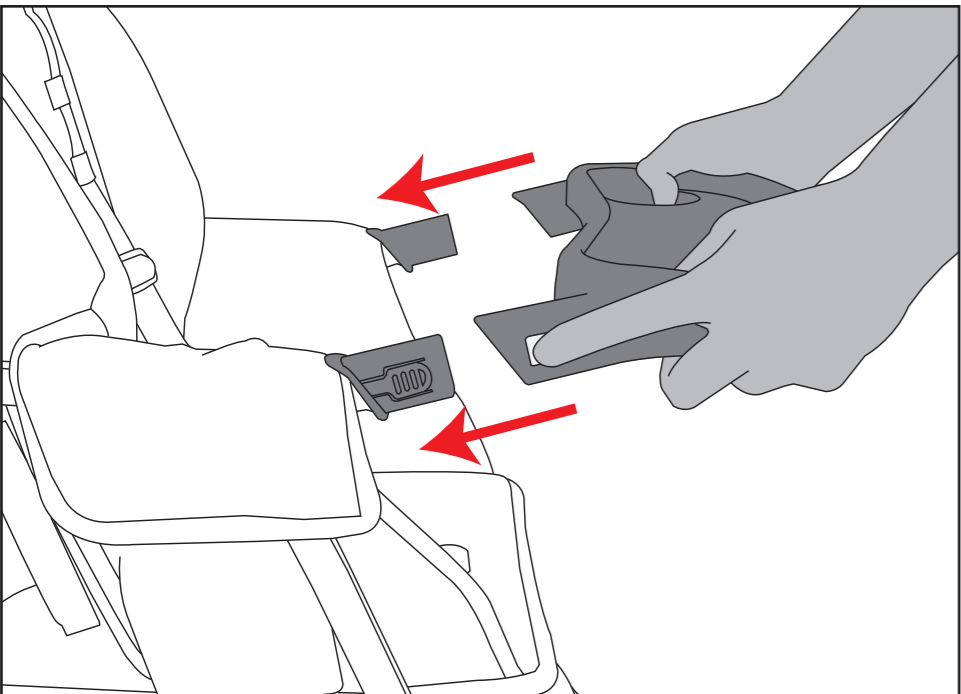
6.2



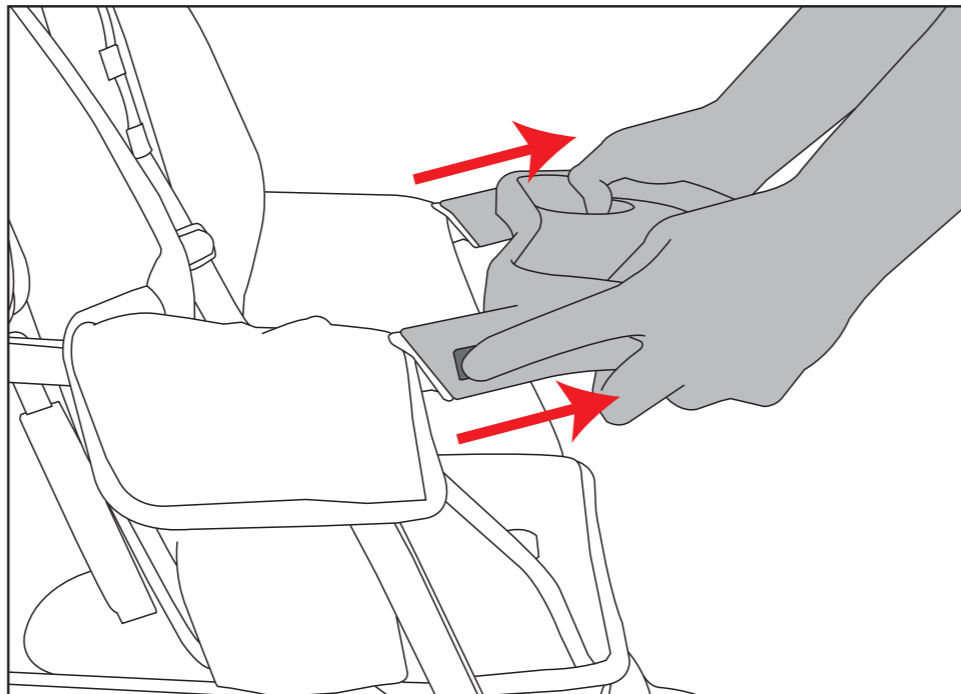
6.5



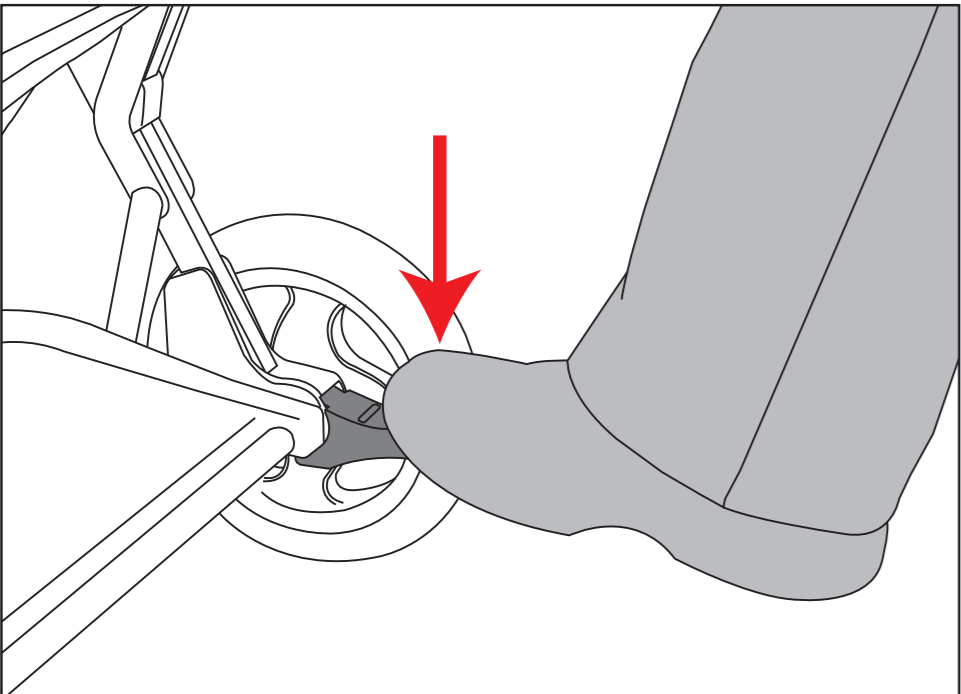
7.1



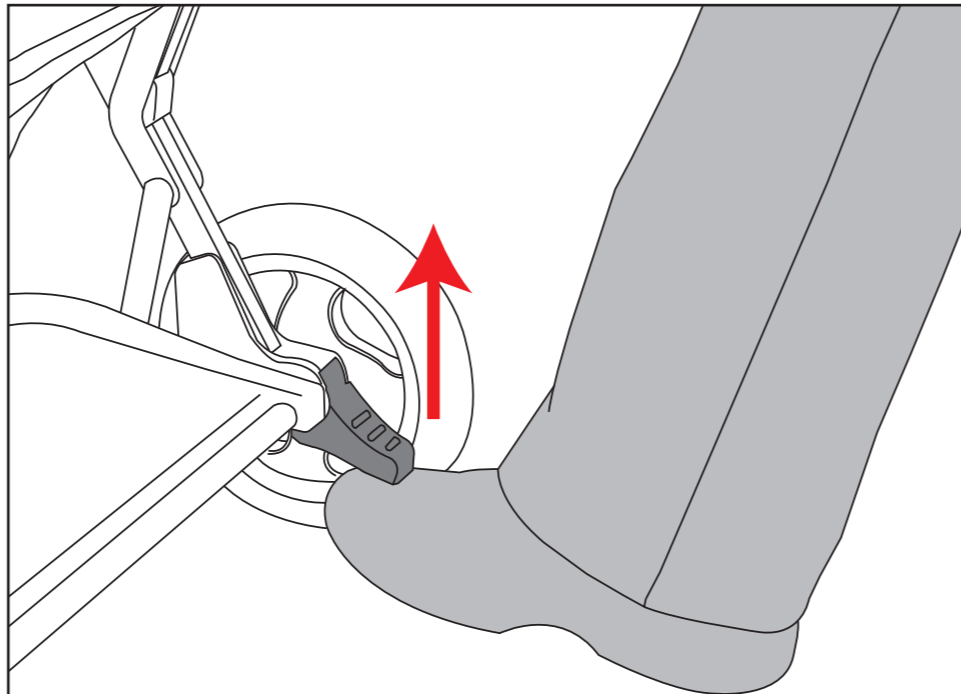
7.2



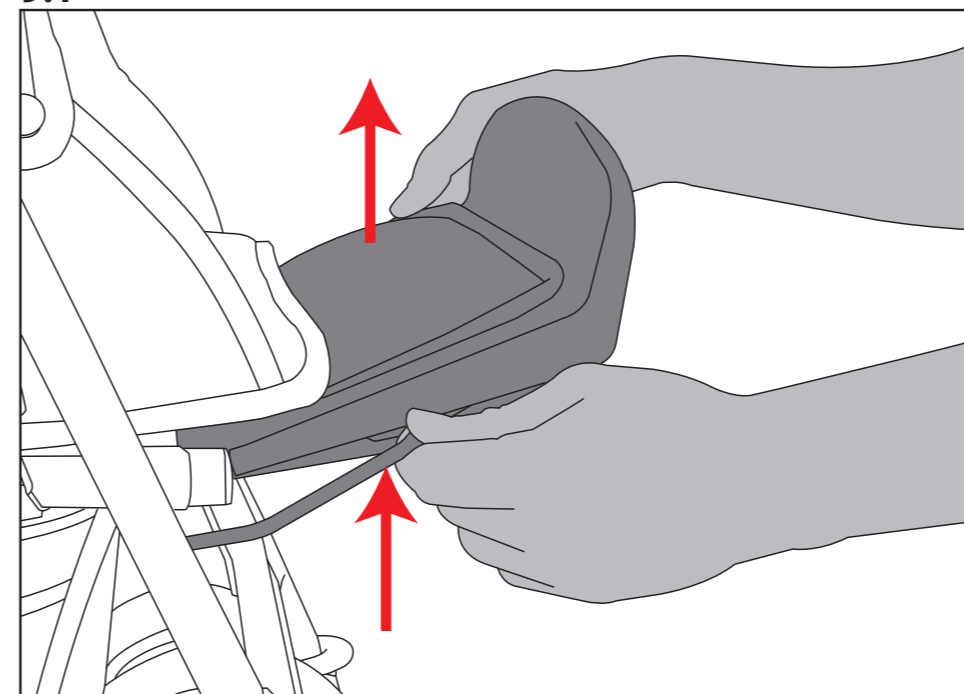
8.1



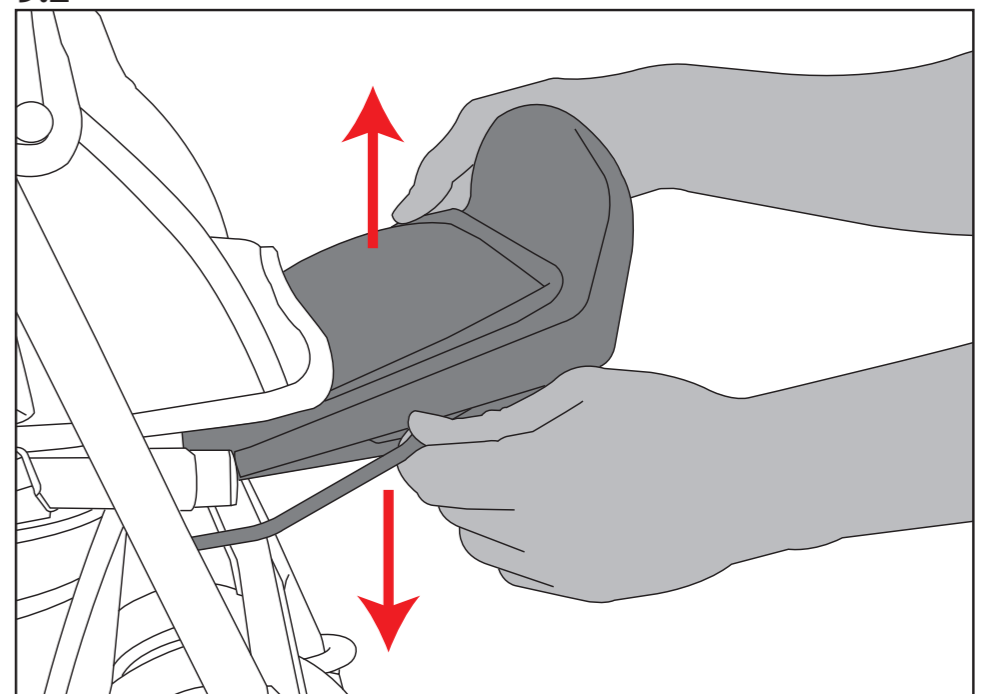
8.2



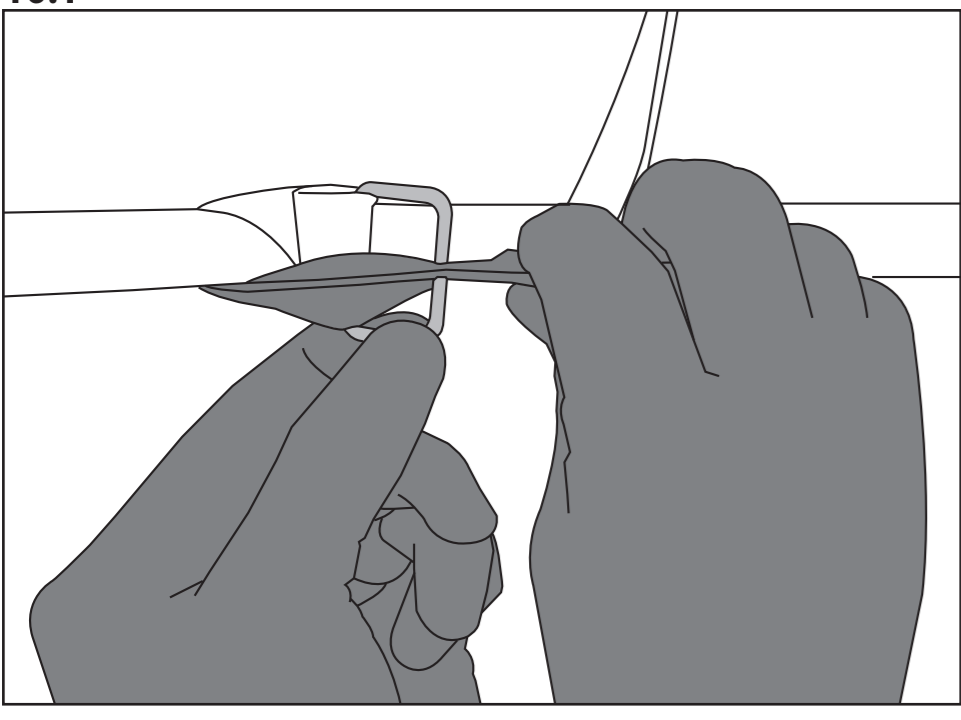
9.1



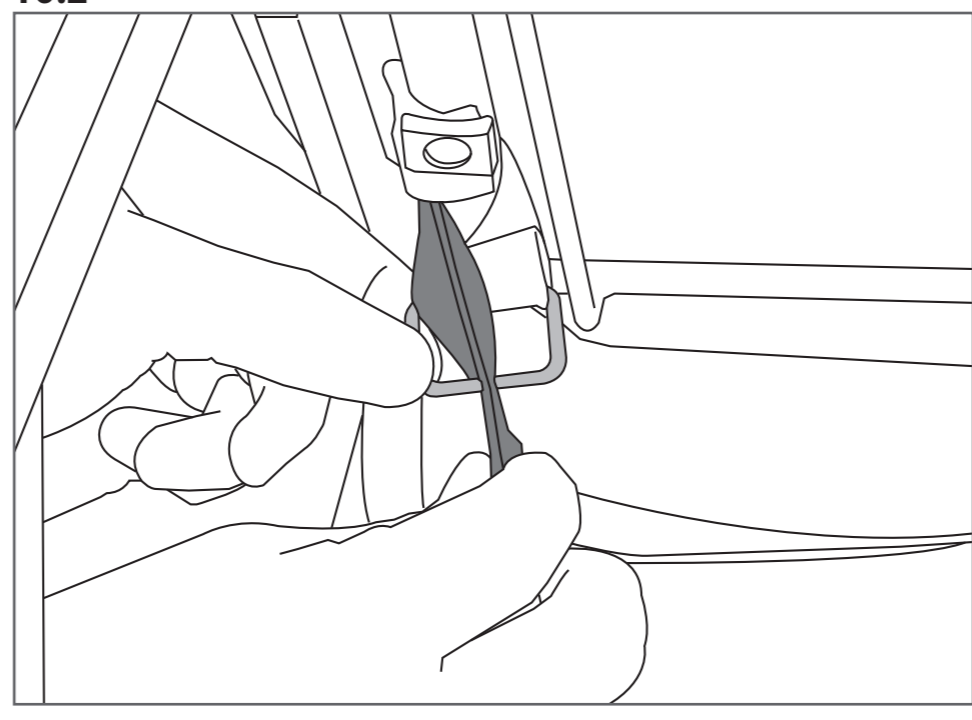
9.2



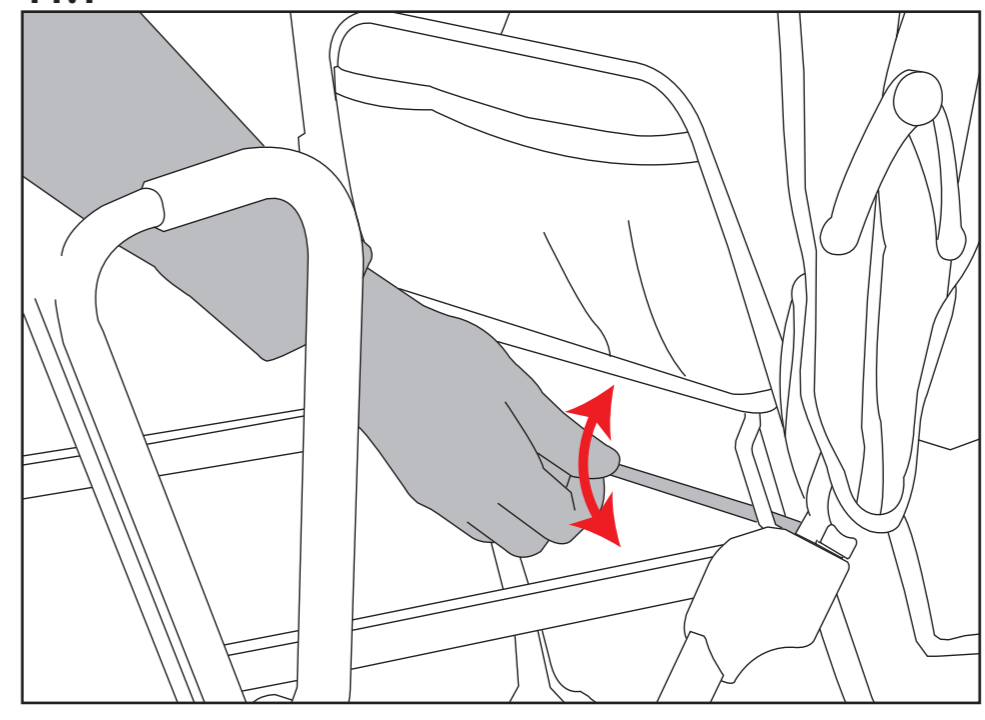
10.1



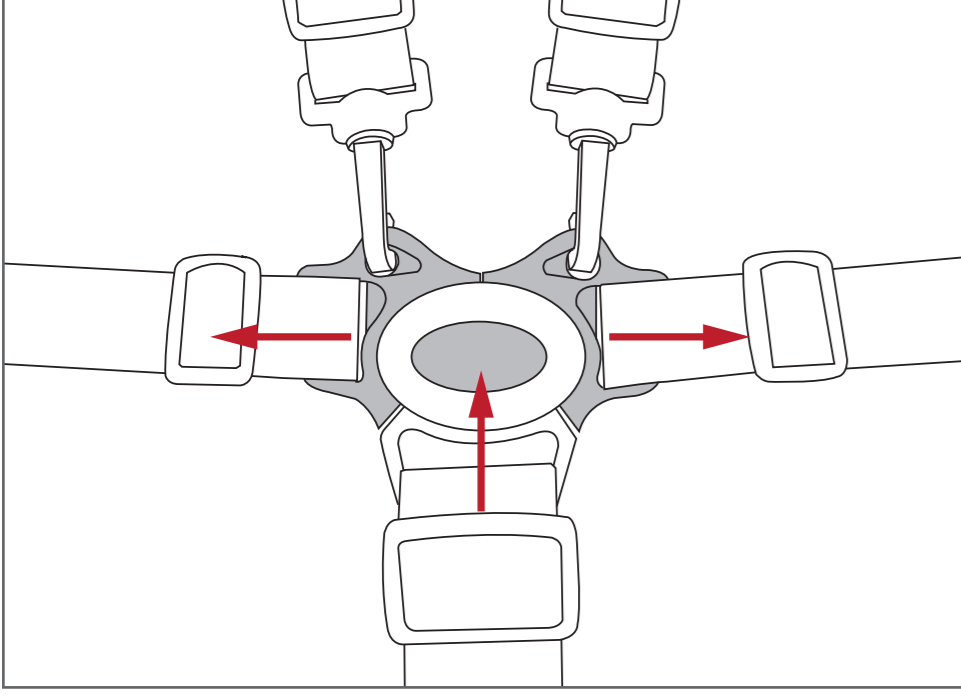
10.2



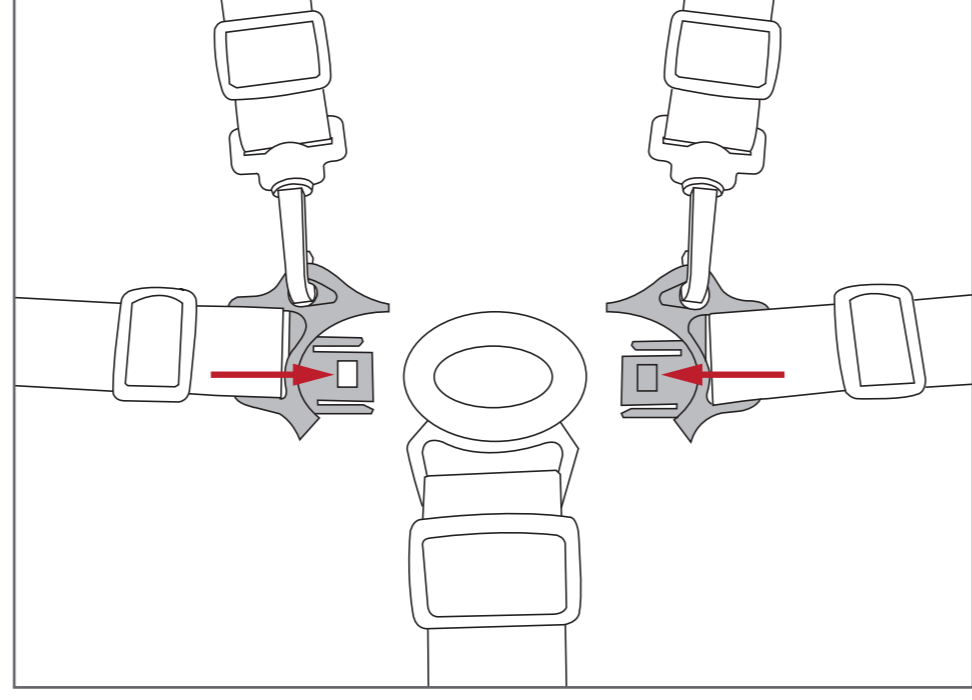
11.1



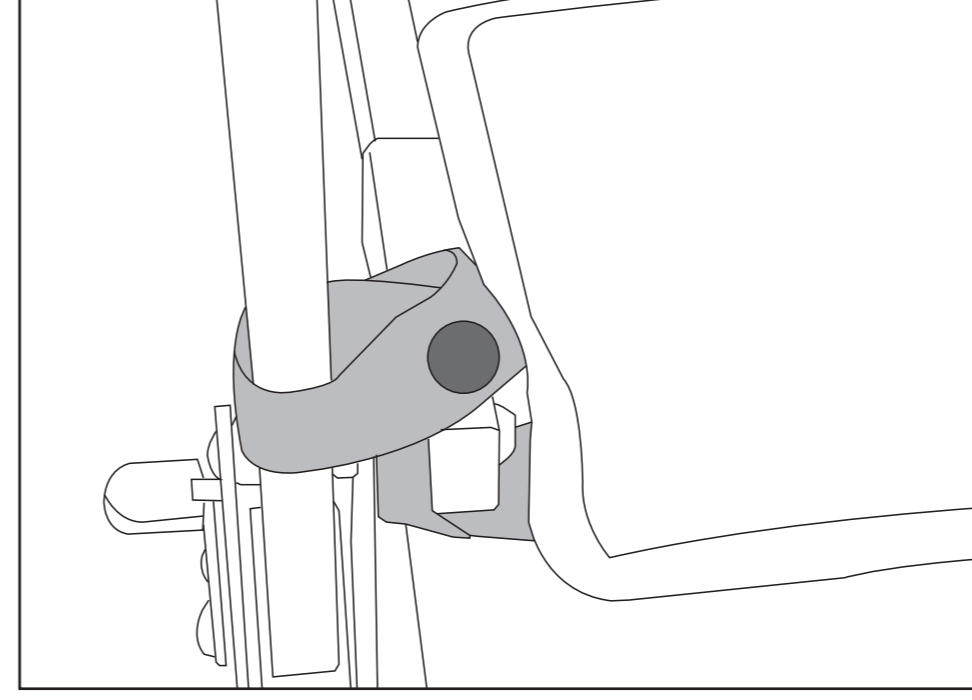
10.3



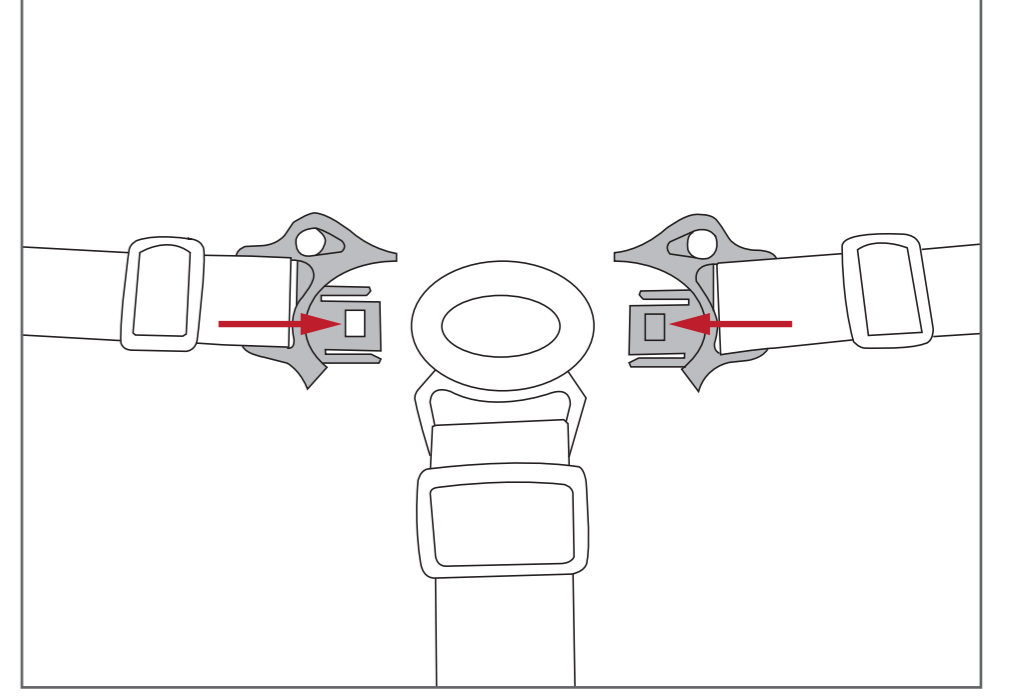
10.4



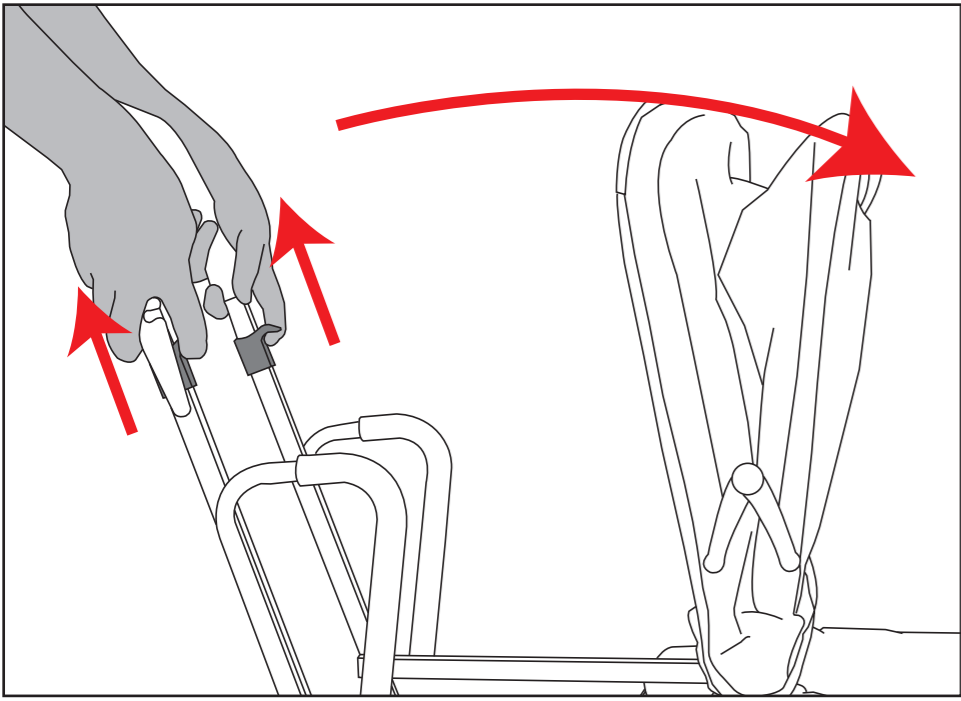
13.1



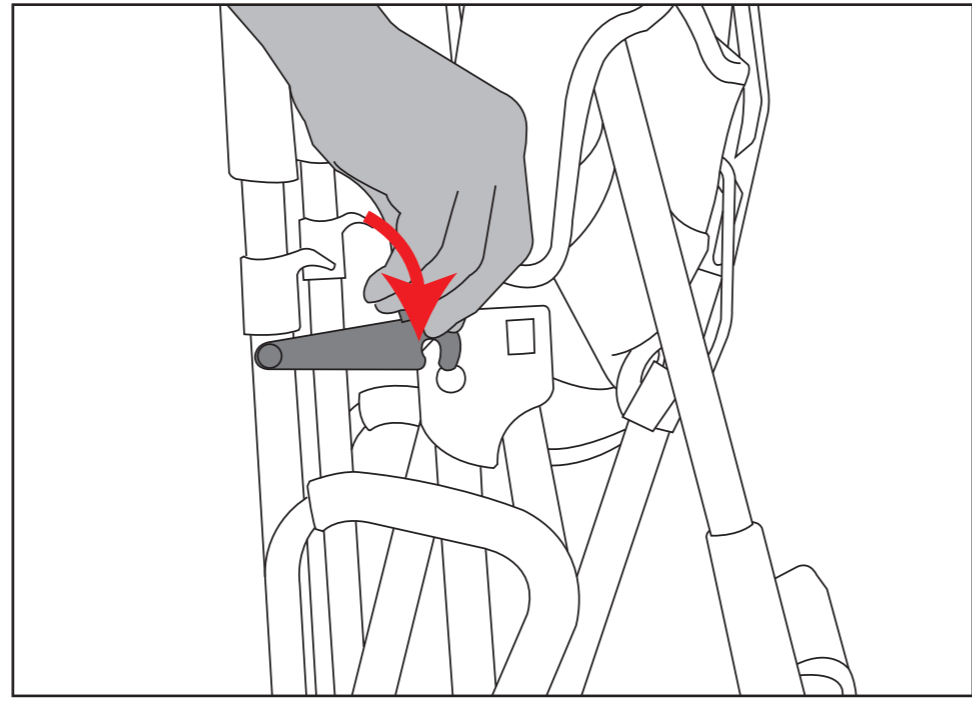
13.2



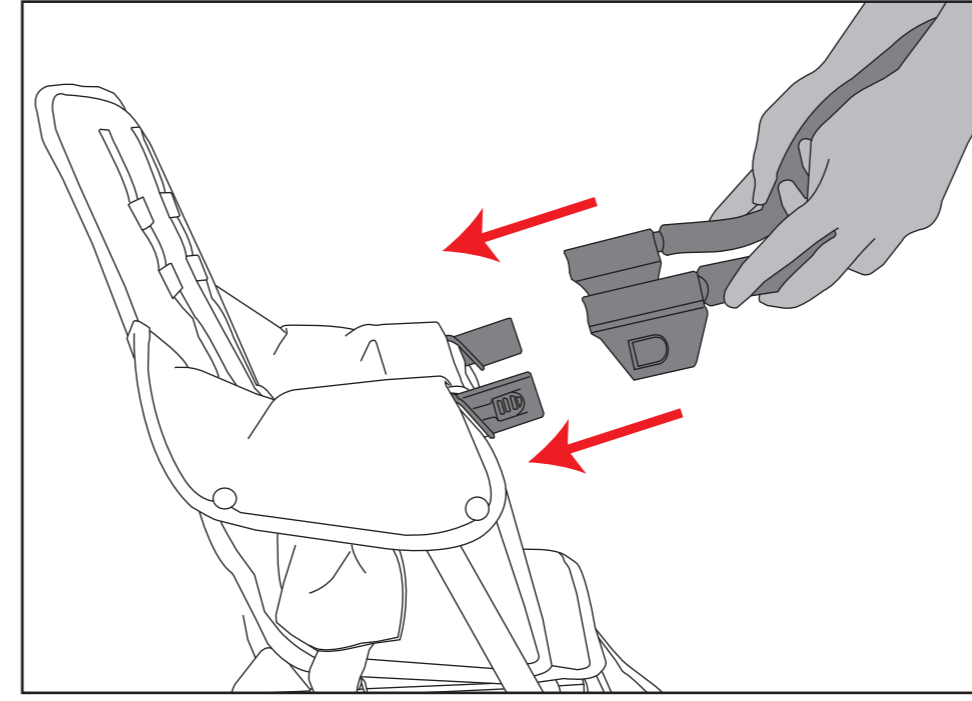
15.1



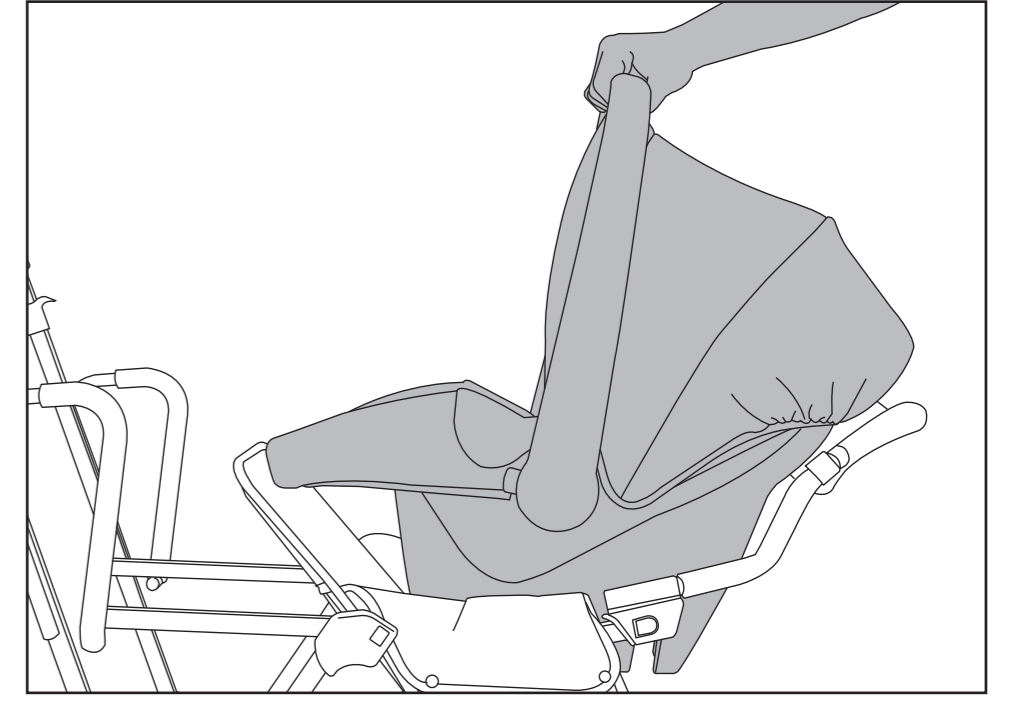
15.2



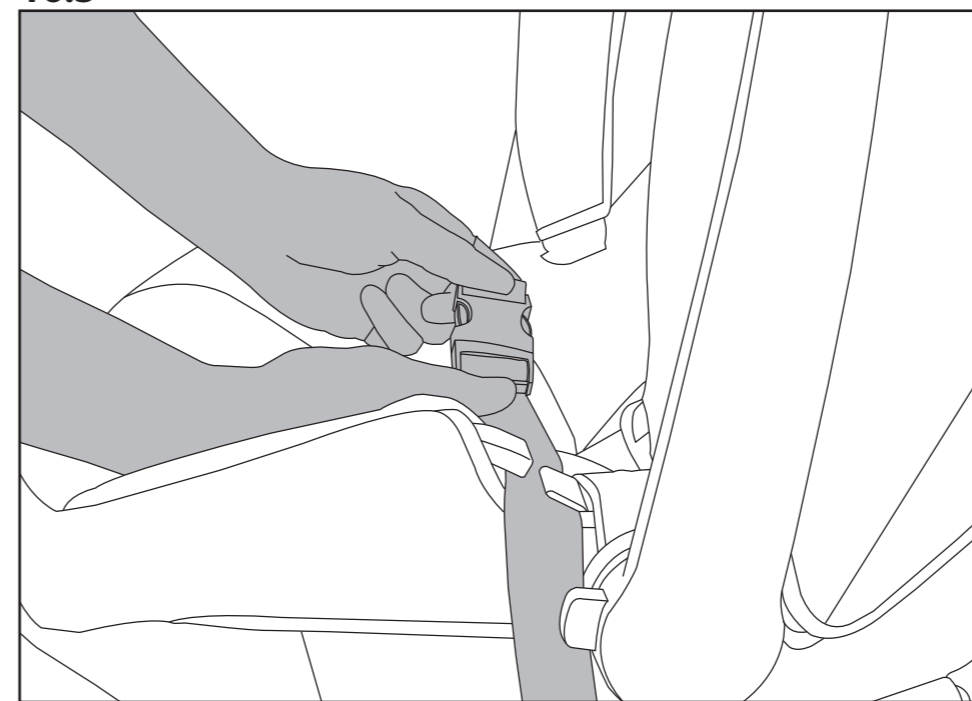
16.1



16.2



16.3



16.4

