

Zoom Graco® Car Seat Adapter

00948

WARNING

This infant car seat adapter is for use ONLY on the Joovy Zoom Joggers. DO NOT use on other stroller models.

This infant car seat adapter is for use ONLY with the Graco® infant car seat models identified below. DO NOT use other infant car seat models.

ALWAYS install the infant car seat so that the child is facing toward the rear (handlebar) of the stroller.

ALWAYS position the infant car seat so that it securely snaps into place inside the infant car seat adapter frame.

Installing/Using the Infant Car Seat Adapter

- Unsnap the five snaps located on BOTH sides of the seat. **See Figure 1.**
- Fold the fabric inside and under the stroller frame tubes so that the tubes are clearly exposed on both sides of the stroller. **See Figure 2.**
- Position the canopy so it is opened halfway. Recline the seat to its maximum recline position. **See Figure 3.**
- Remove the Velcro® straps from each clamp, then open all four clamps on the adapter.
- Place the car seat adapter on the stroller frame tubes so that the canopy hinge brackets are between the adapter clamps. **See Figure 4.**
DO NOT allow any of the seat fabric to be captured by the clamp.
- Close all four clamps around the stroller frame tubes. **See Figure 5.** Make sure that all four clamps are fully closed and no seat fabric is captured by the clamps.
- Insert the loop end of one Velcro® strap between one adapter clamp and the seat fabric. Attach the loop around the tab on the clamp.
See Figure 6.
- Wrap the Velcro® strap tightly around the clamp. **See Figure 7.**
- Ensure that the middle loop of the Velcro® strap fits over the clamp tab. **See Figure 8.**
- Continue wrapping tightly until the entire length of the Velcro® strap is secured together. Make sure the edges of the Velcro® strap are aligned for maximum strength. **See Figure 9.**
- Repeat for the other three clamps and Velcro® straps.
- Close the canopy completely.
NOTE: To maximize space for your baby, attach the two sets of snaps found on the underside of the canopy. **See Figure 10.**
- Place the Graco® infant car seat (so the car seat faces the handlebar) into the adapter until the car seat snaps into place. Pull up on the car seat to ensure it is secure. **See Figure 11.**
- To remove the infant car seat, pull the release lever (same lever used to release the car seat from its base) and lift up.
NOTE: stroller folds with car seat adapter installed.

WARNING

Before each use, check to make sure all four clamps are secure and all Velcro® straps are fully attached.

Removing the Infant Car Seat Adapter

- To remove the car seat adapter, first position the canopy so that it is opened halfway.
- Remove all four Velcro® straps from the clamps.
- Open all four clamps and remove the adapter from the stroller.
- Reattach the four Velcro® straps to the clamps on the adapter and store the adapter for future use.
- Wrap the seat fabric over the stroller frame tubes and reattach the five snaps located on BOTH sides of the stroller.

GRACO® CAR SEAT ADAPTER COMPATABILITY

Graco® Classic Connect

Figure 1

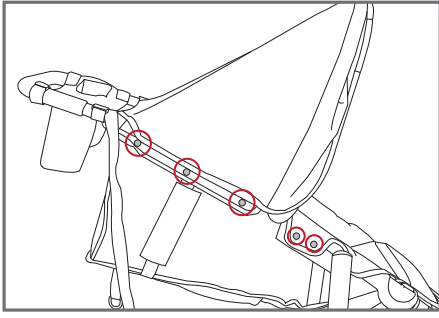


Figure 2

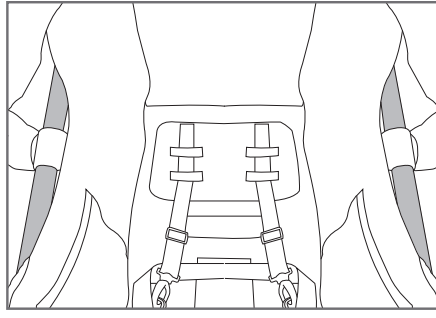


Figure 3

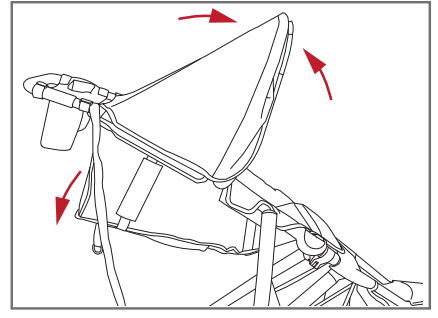


Figure 4

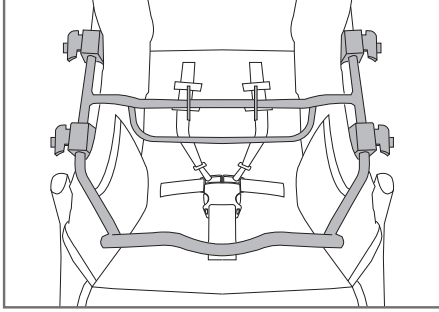


Figure 5

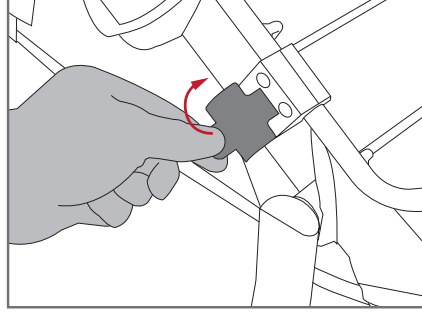


Figure 6

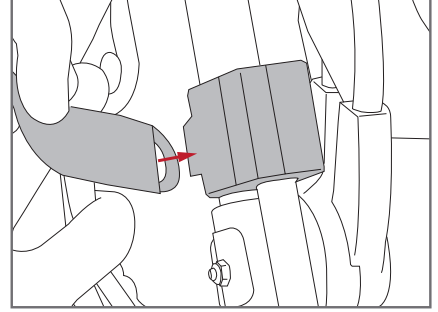


Figure 7

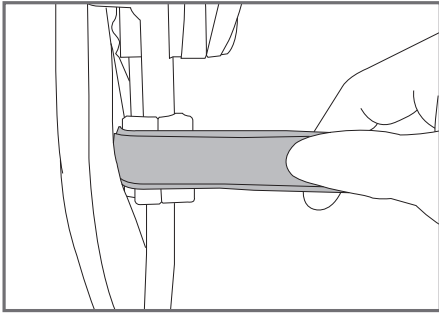


Figure 8

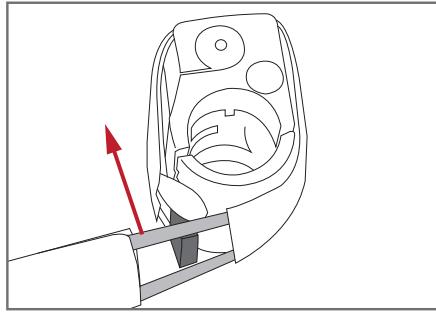


Figure 9

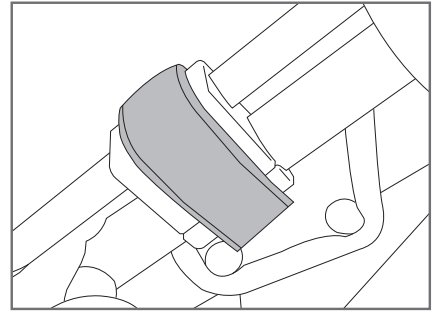


Figure 10

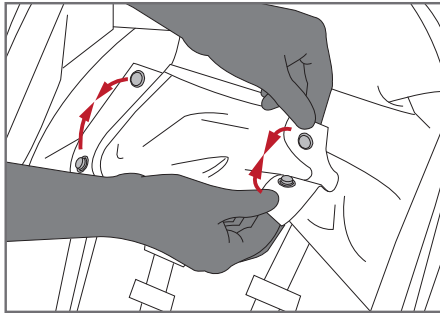


Figure 11

